



Full face CPAP mask

Good Vision

Has no forehead support. The user can enjoy clear and unobstructed vision

High Mobility

Swivels thru 360 degrees providing flexibility and freedom of movement during sleep

Easy to Use

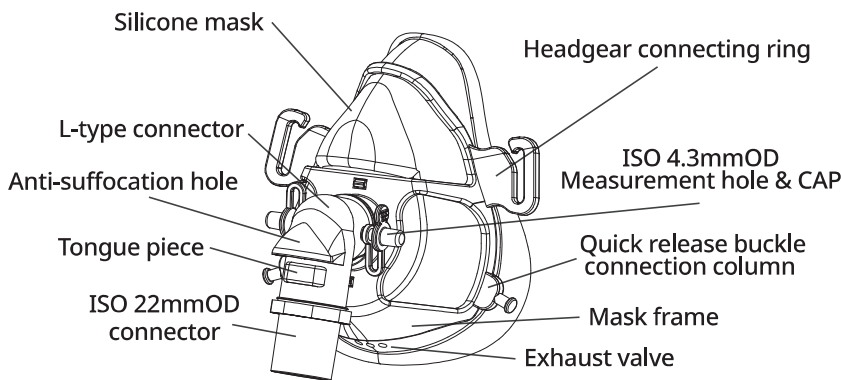
Easily adjusted and comfortable headgear

Safe Material

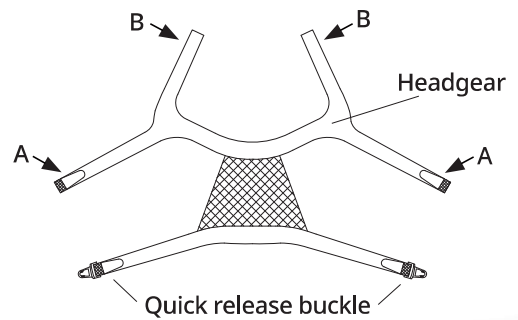
Contains no PVC, DEHP, or LATEX

SPECIFICATION

PRODUCT PARTS



HEADGEAR ASSEMBLY DIAGRAM



- Materials: silicone mask; polycarbonate frame
- Monitoring port: 4.3mmOD, meets ISO 594-1

- L-type connector: 22mmOD, meets ISO 5356-1
- Headgear: elastic fiber

ORDER INFORMATION

REF	Description	Size	Package
1601	Full Face CPAP Mask	L	1set/box, 20sets/carton
1602	Full Face CPAP Mask	M	1set/box, 20sets/carton
1603	Full Face CPAP Mask	S	1set/box, 20sets/carton



DA CHUNG MEDICAL CO., LTD.

No.600, 602, Sec.1, Dong Shan Rd., Dong Shan Township, Yilan County 26948, Taiwan

TEL : +886 3 959 4777

FAX : +886 3 959 4707

E-mail : info@dc-med.com.tw

